

24V DRIVEN, FTP-607 Series

3" HIGH SPEED THERMAL PRINTER

FTP-637MCL401/601

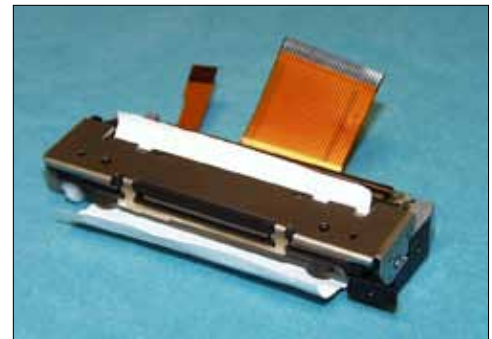
■ OVERVIEW

The FTP-637 MCL Series are 24V driven high-speed printers with a ultra low profile auto cutter and long life.

The FTP-637 MCL Series can be used for a variety of applications, such as POS terminals, ticket vending machines, label printers, banking terminals, and measurement and medical equipment.

■ HIGHLIGHTS

- **Ultra low profile**
Height 21.8 mm, width 103.2/104.5 mm, depth 42.2 mm
- **High speed printing**
It can print at 100/150 mm/s maximum by using Fujitsu's unique head drive control.
- **Auto Cutter**
Long life and high reliable guillotine with dedicated motor.
- **Easy paper setting**
Our lever platen release mechanism allows a wide paper route, so paper can be easily inserted.
Conventional auto loading is also available.
- **Multifunctional die-cast frame**
Wide operating temperature range, long continuous printing, high ESD absorption and discharge of static electricity vibration and shock resistant.
- **RoHS compliant**



FTP-637MCL401/601



FTP-637DSL291



FTP-637DSL601R

FTP-637MCL401/601

■ PART NUMBERS

		Part Number	
Easy Load Model with low profile cutter		FTP-637MCL401 FTP-637MCL411 FTP-637MCL601	
LSI for driving	MCL401	FTP-627CU301R	
	MCL601	FTP-627CU601R	
Interface board for Mech/Cutter	Cutter supported	MCL401	FTP-637DSL291R Parallel (Centronics) /Serial (RS-232C)
		MCL411	FTP-627DSL413R FTP-627DSL415R
		MCL601	FTP-627DSL601R High-speed serial (RS-232C) / USB
		MCL401	FTP-637DSL623R USB (V 1.1) FTP-637DSL625R High-speed serial (RS-232C)
		MCL601	FTP-637DSL633R USB (V 1.1) FTP-637DSL635R High-speed serial (RS-232C)/
Interface cables	Parallel (Centronics)		FTP-628Y202
	Serial (RS232C)		FTP-628Y302
	USB		FTP-629Y301
Power cables	Logic		FTP-629Y401
	Head, motor		FTP-629Y601

■ SPECIFICATIONS

Item	Specifications	
Part number	FTP-637MCL401/601	
Printing method	Thermal-line dot method	
Dot structure	576 dots/line	
Dot pitch (Horizontal)	0.125 mm (8 dots/mm)—Dot density	
Dot pitch (Vertical)	0.125 mm (8 dots/mm)—Line feed pitch	
Effective printing area	72 mm	
Number of columns	ANK 48 columns/line (maximum 12 x 24 dot font)	
Paper width	80 mm	
Paper thickness paper characteristics)	60 to 85 μm (some paper in this range may not be used because of	
Printing Speed	MCL401	Maximum 100mm/sec. (800 dot line/sec.)
	MCL411	Maximum 150mm/sec. (1,200 dot line/sec.)
	MCL601	Maximum 150mm/sec. (1,200 dot line/sec.)
Character types	Alphanumeric, kana: International characters: JIS Kanji (Kanji CG loaded board):	159 types 195 types about 6800 types
Character, dimensions (W×H), number of columns	12 × 24 dots, (1.5 × 3.0 mm), 48 columns: ANK 24 × 24 dots, (3.0 × 3.0 mm), 24 columns: ANK 8 × 16 dots, (1.0 × 2.0 mm), 72 columns: ANK 16 × 16 dots, (2.0 × 2.0 mm), 36 columns: ANK	

■ SPECIFICATIONS

Item		Specification	
Interface		Conforms to RS232C/Centronics	
Power supply	For print head	MCL401	24 VDC average current, 0.7A (1.3A peak)
		MCL601	24 VDC average current, 1.3A (2.5 A peak) (print ratio: 12.5%, print speed 100mm/sec.)
	For motor		24 VDC \pm 5%, 1.0 A maximum
	For cutter	MCL401	24 VDC \pm 5%, 1.1 A maximum
		MCL601	24 VDC \pm 5%, 1.3 A maximum
	For logic	MCL401/601	3.3 to 5.25 VDC, 0.2 A maximum
MCL411		2.7 to 5.25 VDC, 0.2 A maximum	
Dimensions	Mechanism with cutter		104.5 x 42.2 x 21.8 mm (WxDxH)
	Interface board	DSL291	70 x 60 x 12 mm (WxDxH)
		DSL6xx	95 x 70 x 21.6 mm (WxDxH)
Weight	Mechanism with cutter		Approximately 118g/122g
	Interface board		Approximately 50g / 50g
Life	Head	MCL401	Pulse durability: 50 million pulses/dot (print ratio: 12.5% or less).
		MCL411	Pulse durability: 100 million pulses/dot (print ratio: 12.5% or less).
		MCL601	Pulse durability: 100 million pulses/dot (print ratio: 12.5% or less).
		MCL401	Abrasion resistance: paper traveling distance 50km
		MCL411	Abrasion resistance: paper traveling distance 100km
		MCL601	Abrasion resistance: paper feed length 100km.
	Cutter	MCL401	500,000 cuts
		MCL411	1,000,000 cuts
		MCL601	1,000,000 cuts
Platen		5,000 times (open/close)	
Operating environment	Operating temperature*		0°C to +50°C
	Operating humidity		20 to 85% RH (no condensation)
	Storage temperature		-20°C to +60°C (paper not included)
	Storage humidity		5 to 95% RH (no condensation)
Detection function	Head temperature detection		Detected by thermistor
	Paper out/mark detection		Detected by photo-interruptor
	Platen release		Detected by sliding switch
Recommended thermal sensitive paper		High sensitive paper	TF50KS-E4 (Nippon paper)
		Standard paper	TF60KS-E (Nippon paper), FTP-020PU001 (58mm) PD150R (Oji paper) FTP-020PU701 (58mm)
		Medium life paper	TF60KS-F1 (Nippon paper) FTP-020P0102 (58mm) PD170R (Oji paper) P220VBB-1 (Mitsubishi paper)
		Long life paper	PD160R (Oji paper) AFP-235 (Mitsubishi paper) TP50KJ-R (Nippon paper) HA220AA (Nippon paper)

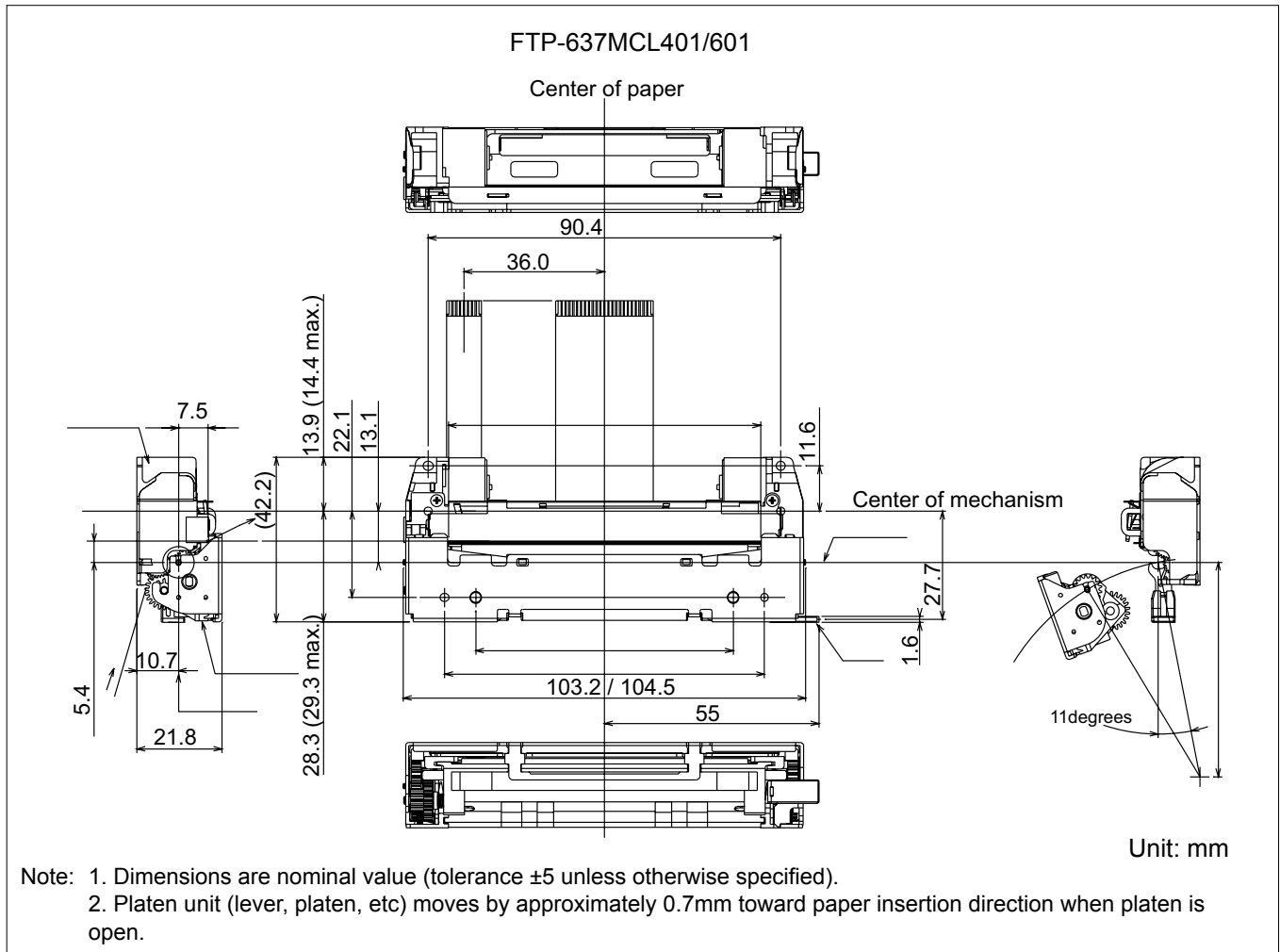
*+5°C to +40°C printing density assurance range.

FUNCTION OF INTERFACE BOARD

Item	Item
1. Test print function	8. Cutter trouble detect
2. Paper out detection	9. Motor power saving function
3. Paper near end detection	10. Mark detection function
4. Platen open detection	11. MCU operation abnormality detection
5. Thermal head temperature abnormality detection	12. Power ON/OFF sequence protection
6. Blow-out fuse detection	13. Motor over-current protection
7. Head voltage abnormality detection	14. Hardware timer

DIMENSIONS

1. Printer mechanism



1. Connector (FPC) specification (CN4)

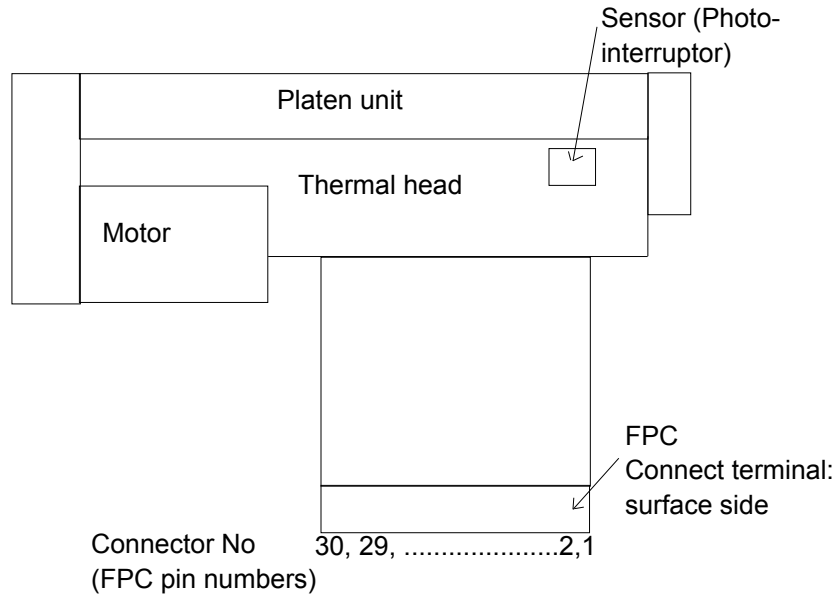
(1) Connector

Mechanical unit side: FPC connector

Remote side (housing site): 52610-3071 (made by Molex)

(2) Pin assignment on the mechanical side

No	Signal	I/O	Contents
1	PHK	—	Photointerrupter (Cathode)
2	VSEN	I	Ground power supply for paper sensor
3	PHE	O	Photointerrupter (Emitter)
4	VH	I	Head drive power
5	VH	I	Head drive power
6	VH	I	Head drive power
7	DI	I	Data input
8	STB3	I	Strobe 3
9	STB4	I	Strobe 4
10	VDD	—	Logic Power
11	GND	—	Head ground
12	GND	—	Head ground
13	GND	—	Head ground
14	GND	—	Head drive power
15	GND	—	Head drive power
16	GND	—	Head drive power
17	TM	O	Thermistor
18	STB1	I	Strobe 1
19	STB2	I	Strobe 2
20	LAT	I	Data Latch
21	CLK	I	Clock
22	VH	I	Head drive power
23	VH	I	Head drive power
24	VH	I	Head drive power
25	SW	—	Platen open switch
26	SW	—	Platen open switch
27	MT A	I	Motor excite signal A
28	MT A	I	Motor excite signal A
29	MT B	I	Motor excite signal B
30	MT B	I	Motor excite signal B



2. Cutter (CN5)

Connector on control circuit side: 52610-0871 Molex or equivalent

No.	Signal	I/O	Contents	No.	Signal	I/O	Contents
1	VSEN	I	Paper sensor power	2	PHE	O	Photo interruptor (emittor)
3	PHK	—	Photo interruptor (cathode)	4	MT A	I	Motor excite signal A
5	MT \bar{A}	I	Motor excite signal A	6	MT B	I	Motor excite signal B
7	MT \bar{B}	I	Motor excite signal B	8	NC	—	Not connected

Fujitsu Components International Headquarter Offices

Japan

Fujitsu Component Limited
Gotanda-Chuo Building
3-5, Higashigotanda 2-chome, Shinagawa-ku
Tokyo 141 8630, Japan
Tel: (81-3) 5449-7010
Fax: (81-3) 5449-2626
Email: promothq@fcl.fujitsu.com
Web: www.fcl.fujitsu.com

North and South America

Fujitsu Components America, Inc.
250 E. Caribbean Drive
Sunnyvale, CA 94089 U.S.A.
Tel: (1-408) 745-4900
Fax: (1-408) 745-4970
Email: components@us.fujitsu.com
Web: <http://us.fujitsu.com/components/>

Europe

Fujitsu Components Europe B.V.
Diamantlaan 25
2132 WV Hoofddorp
Netherlands
Tel: (31-23) 5560910
Fax: (31-23) 5560950
Email: info@fceu.fujitsu.com
Web: emea.fujitsu.com/components/

Asia Pacific

Fujitsu Components Asia Ltd.
102E Pasir Panjang Road
#01-01 Citilink Warehouse Complex
Singapore 118529
Tel: (65) 6375-8560
Fax: (65) 6273-3021
Email: fcal@fcal.fujitsu.com
Web: <http://www.fujitsu.com/sg/services/micro/components/>

©2011 Fujitsu Components America, Inc. All rights reserved. All trademarks or registered trademarks are the property of their respective owners.

Fujitsu Components America or its affiliates do not warrant that the content of datasheet is error free. In a continuing effort to improve our products Fujitsu Components America, Inc. or its affiliates reserve the right to change specifications/datasheets without prior notice.

Rev. September 15, 2011.